

6

5

4

3

2

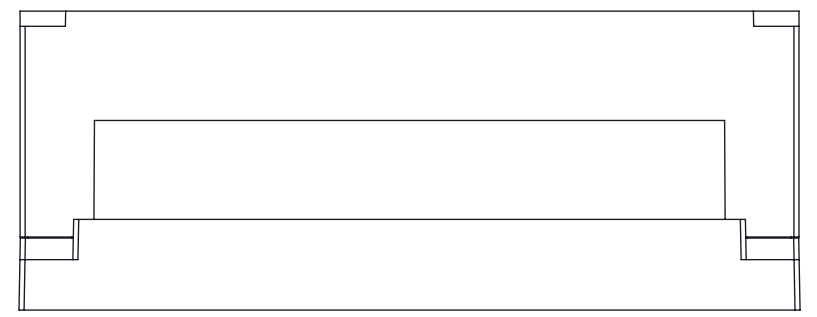
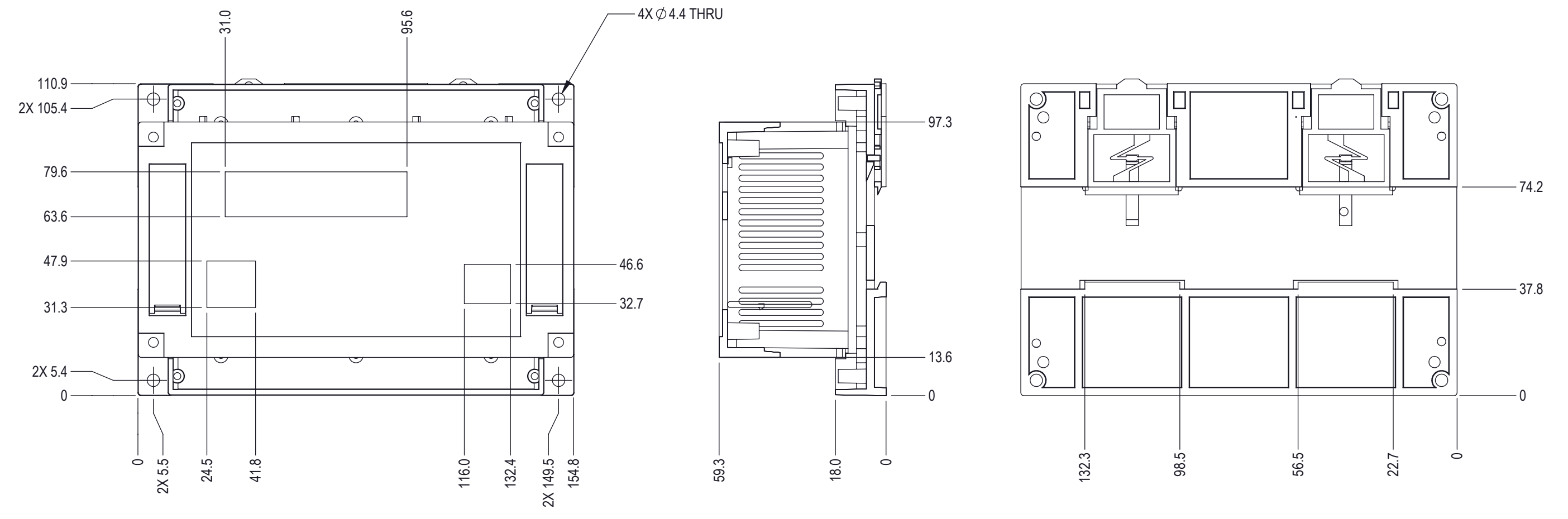
1

D

C

B

A



PROPRIETARY AND CONFIDENTIAL:
 The information contained in this drawing is the property of BogdanCo and its clients. Any reproduction in part or as a whole without the written permission of BogdanCo is prohibited.
 © COPYRIGHT BOGDANCO. ALL RIGHTS RESERVED.

UNLESS OTHERWISE SPECIFIED:
 DIMENSIONS ARE IN MILLIMETERS
 TOLERANCES ARE:
 X ± .2
 .X ± .1
 .XX ± .02
 .XXX ± .002
 ANGLES ± 1 DEG.



DO NOT SCALE DRAWING

DIGITAL LOGGERS			
DIN RELAY 4			
TOP LEVEL DIMENSIONS			
SIZE	DRAWING NUMBER	DWG REV	PART REV
B	--	--	--
SCALE 1:1		SHEET 1 OF 1	

6

5

4

3

2

1