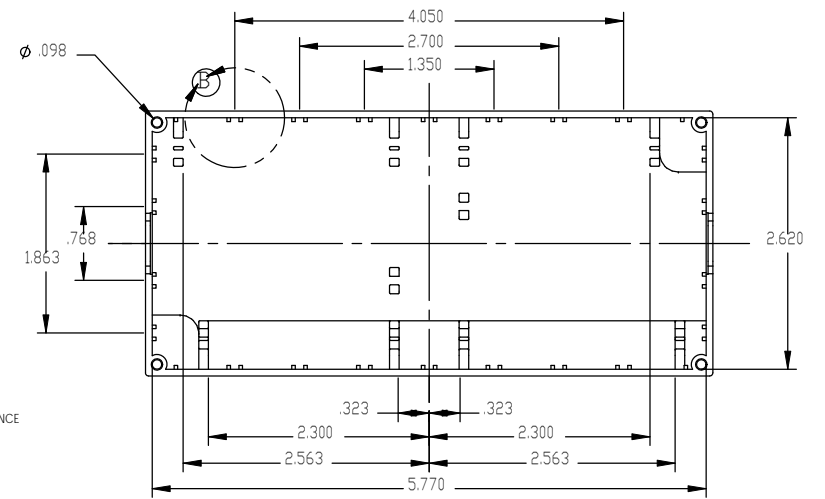
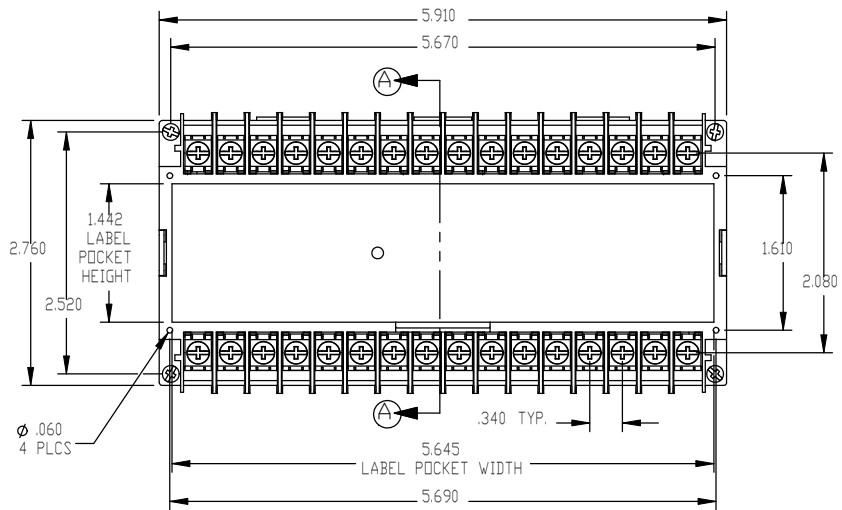
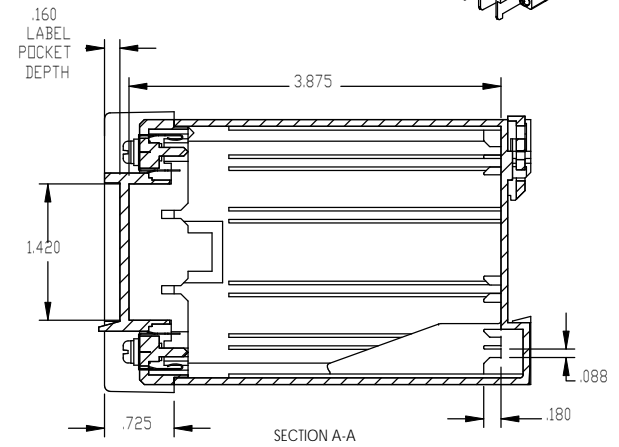
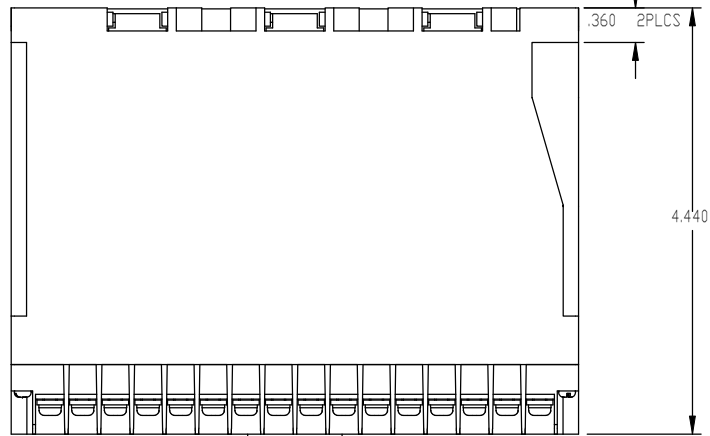
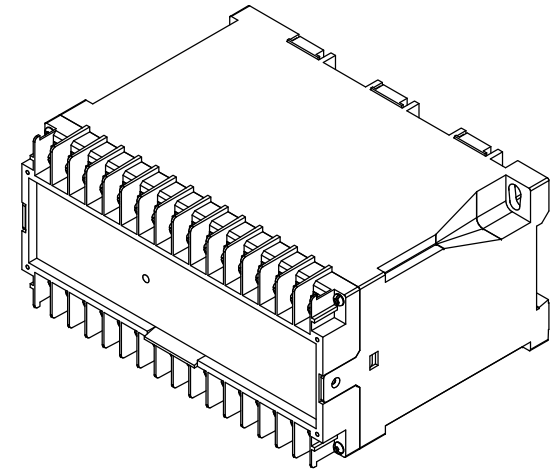
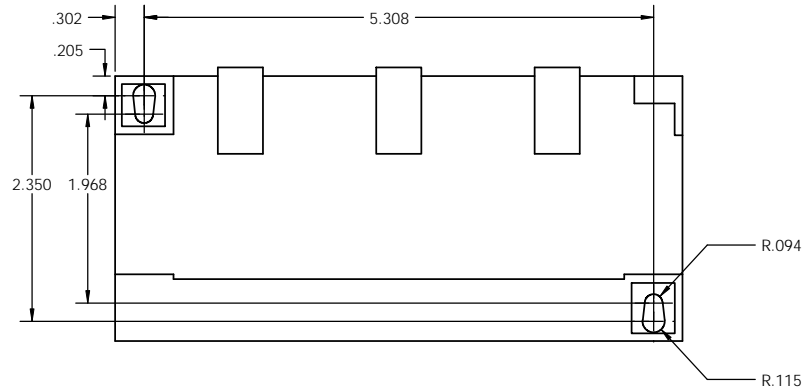


PART
NAME

PART
No.

DB-4715



MATERIAL: UL94V-0 RATED ABS
FINISH: LIGHT GRAY
FOUR (4) M3 SCREWS SUPPLIED TO ATTACH FRONT PANEL
ALL DIMENSIONS HAVE A ±.015 TOLERANCE UNLESS OTHERWISE SPECIFIED
ALL CONTACTS ARE TIN PLATED BRASS RATED AT 10 AMPS