

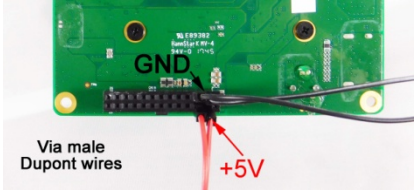



# Power Supply Suggestions

Power polarity is critical. Reversing polarity can fatally damage the Atomic Pi.

Be sure power is connected to the correct pins. Feed power to the Pi via one of these methods:

<p>[2x13] 26 pin .1" header Digikey P/N A33167</p> 	<p>Ribbon cable connector Digikey P/N MPK26K</p> 	<p>Male DuPont pins</p> 	<p>Breakout board</p> 
--	--	--	---

Pretty much any good quality regulated power supply will run the Pi. The output voltage should be 5.0V +/- 5%. A minimum output current rating of 2.5A is recommended. If you elect to power hungry USB devices like external hard drives from the Pi, your power input needs will increase accordingly.

The input voltage is up to you. DC-DC converters will run the Pi from 12V, batteries, or PoE. Although they are overkill and bulky, any standard PC supply which meets these requirements should work just fine. Most AC-DC switching power supplies have universal input voltage (90-240VAC).

“What brand?” MeanWell is one of our favorite low-cost brands. TDK Lambda is top of the line. Cosel is good as well. MerryKing is a dependable low cost brand. We’re not in the power supply business, but we keep some in stock \$8-\$20\* or you can shop Aliexpress for lower cost alternatives. Many of the following are also stocked at digikey.com:

Here are some examples:

## Enclosed Industrial AC-DC Supplies

---

MeanWell T-40C 5V 3A\*  
MeanWell RS-15-5 5V 3A  
MeanWell HDR-20 5V 4A  
Cosel K25AU-5 5V 5A\*  
Lambda TDK LS25-5 5V 5A

## Wall Mount AC-DC Adapters

---

MerryKing 2.5A 5.15V Wall Adapter AD1805B\*

## DC-DC Converter (ie battery or mobile operation)

---

Meanwell SD-15A-5 ~12V in, 5V 3A out

## DC-DC Converter (ie -48V PoE)

---

Meanwell SD-15C-5 ~36-72V in, 5V 3A out