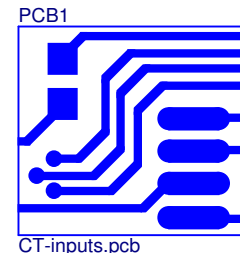
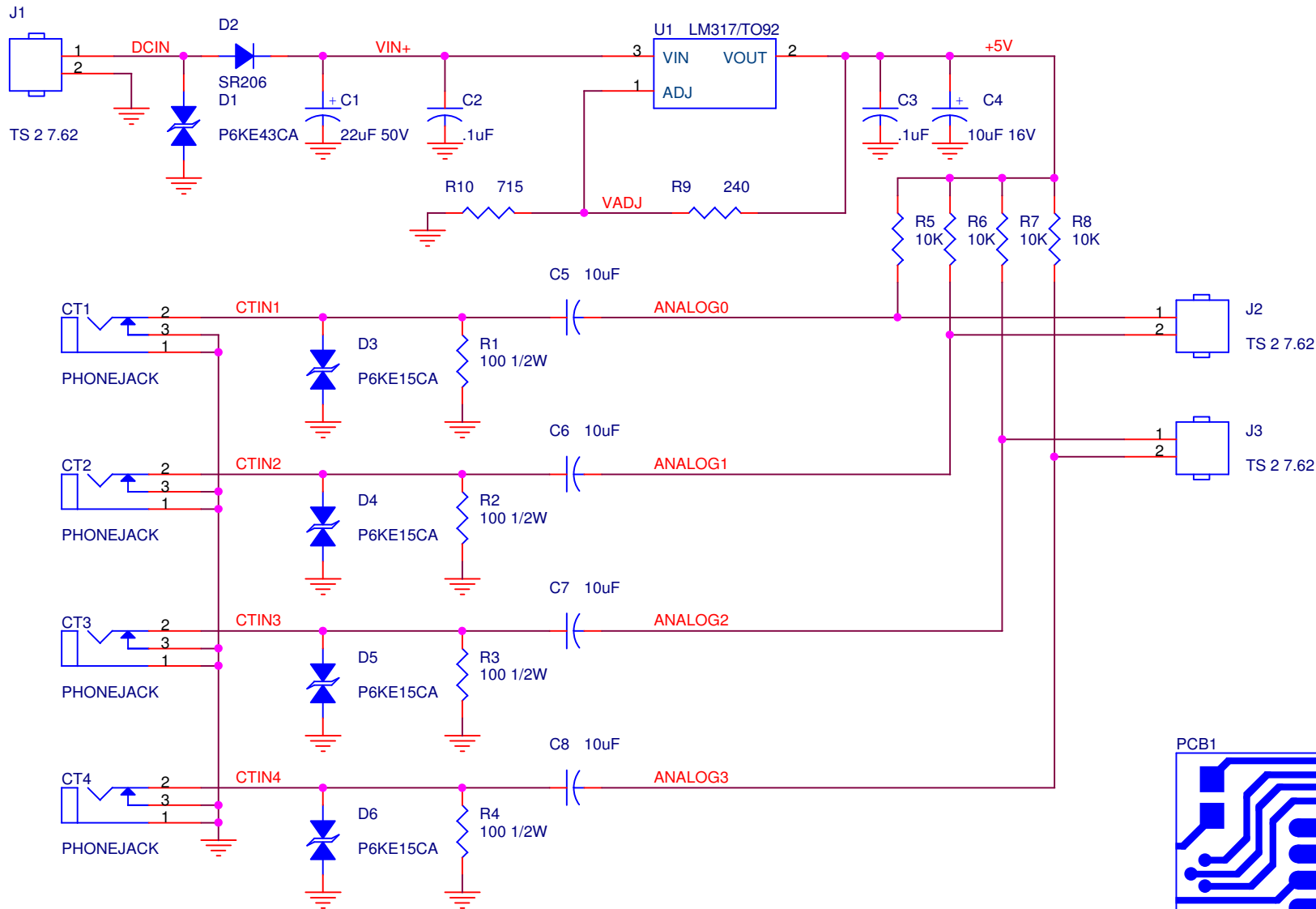



From PLCDuino power source

12 to 24
Volts DC

R10 = 715 OHMS FOR 5 VOLTS
R10 = 232 OHMS FOR 2.5 VOLTS



- CTR1
- Current Xfmr
- CT Split
- CLIPS1
- CASE
- DIN CLIPS



Digital Loggers, Inc.
2695 Walsh Av.
Santa Clara, CA 95051

Title **Current Transformer Inputs**
(c) 2015 by Digital Loggers, Inc.

Date	Tuesday, July 28, 2015	Size	A	Rev	1	Sheet	1	of	1	DWG NO	CT INPUT
------	------------------------	------	---	-----	---	-------	---	----	---	--------	-----------------