



INSTALLATION INSTRUCTIONS  
T-1, E-1 Standard TVSS  
TJ1010B

GENERAL

- Install the suppressor as close as possible to the equipment to be protected (**NOT** at the Telco equipment).
- Two mounting “feet” are located on the base of the suppressor. The Holes in the feet will accept up to a #10 screw or bolt.
- The suppressor offers the option of connection via hardwire terminals or RJ-48C (non-keyed) jacks, in any combination.
- Hardwiring *into* the suppressor is recommended.
- All necessary hardware, an RJ-48C “pigtail”, and a 1-foot ground wire are included.

HARDWIRING INSTALLATION

- If the hardwire terminals are to be used, a screwdriver is required.
- Strip the Telco line wires.
- Install the appropriate wires (use of supplied, solderless fork terminals may be preferred) into the screw terminals of the suppressor. The pin numbers are clearly marked.
- Tighten the screws securely with a screwdriver.

**NOTE: The integrity of this connection is critical for suppressor operation.** Follow the same procedure for the equipment lines.

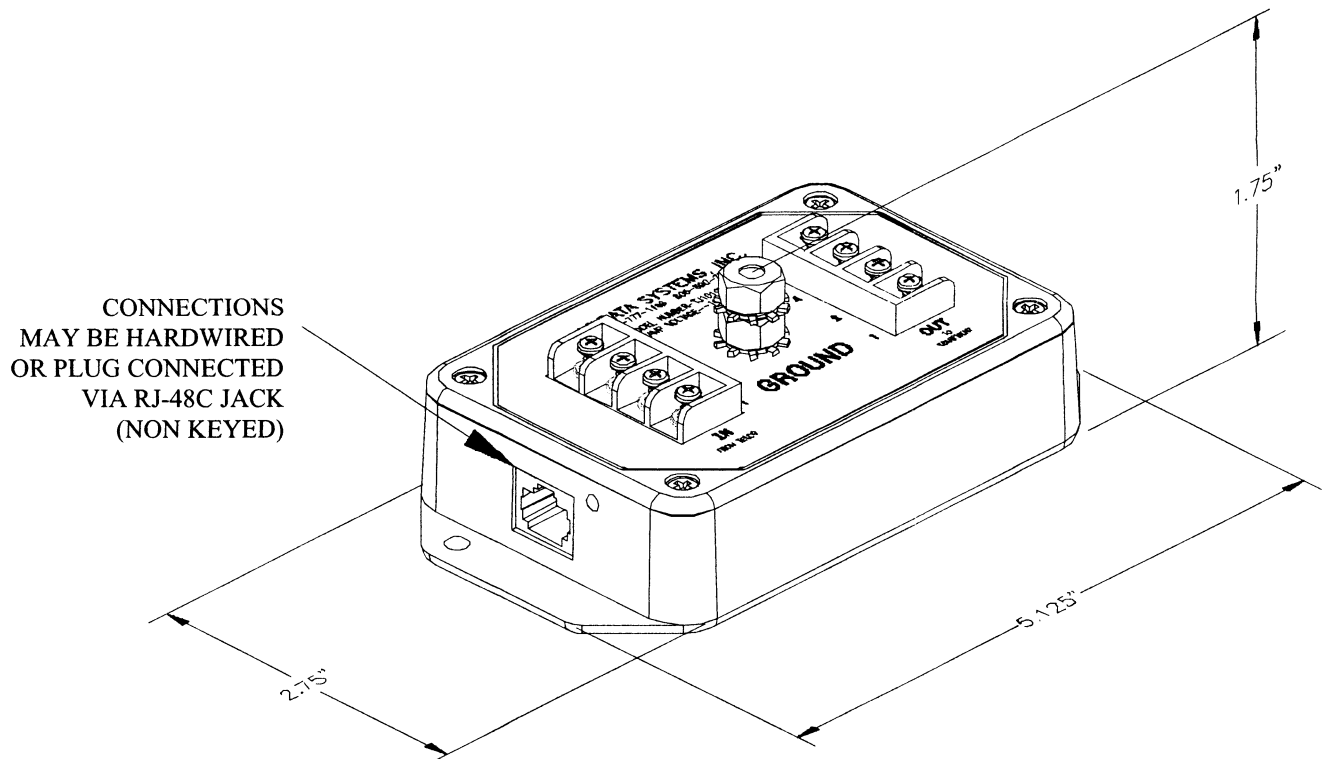
RJ-48C JACK INSTALLATION

- If the RJ-48C jacks are to be used, no additional tools are required.
- Disconnect the incoming T-1 line RJ-48C plug from the equipment to be protected (Not the Telco equipment end).
- Insert the disconnected plug into the "IN" jack of the suppressor.
- Insert one end of the supplied RJ-48C "pigtail" into the "OUT" jack of the suppressor.
- Plug the other end of the pigtail into the equipment to be protected (where the incoming T-1 line was connected.)
- The white dots at the RJ-48C jacks on the TJ1010B denote Pin 1 of the RJ-48C connection.

## GROUNDWIRE

**NOTE: A CORRECTLY INSTALLED GROUND IS VITAL TO THE SUCCESS OF THE SUPPRESSOR.**

- The length of the ground wire is **CRITICAL** to suppressor performance.
- **TRIM THE GROUND WIRE TO THE SHORTEST LENGTH POSSIBLE.**
- Be certain that there are **no "coils" or sharp bends** in the ground wire when installed.
- Loosen and remove the top nut and lock washer of the "GND" terminal.
- Install the ring terminal end of the supplied ground conductor over the stud.
- Replace the lock washer and nut.
- Prevent the nut closest to the enclosure from turning by using an open-end 7/16" wrench.
- Tighten top nut securely with a 7/16" nut driver.
- **Connect the other end of the trimmed ground wire (terminal also supplied) to the grounding point of the equipment to be protected.**



- Each pair (pins 1&2, and pins 4&5) has 15 joules of SAD protection.
- Each line has a parallel gas tube.
- Clamping voltage begins at 10 volts.
- Each unit supplied with RJ-48C (non-keyed) interface cable and ground conductor

Should the suppressor self-sacrifice, communications will cease. Call ACDATA Solutions **immediately** at:

1-800-890-BLOX (2569) for support.

**Thank you for choosing quality products from ACDATA Solutions.**